

700_COATHOOK_SS - Concealed Stainless Steel Hat & Coat Hook

Material Specifications

- #304 Stainless Steel Body
- Rubber Bumper

Dimensions

- 47mmW x 47mmH x 90mmD

Mounting

- Concealed Screw Fix via Fixing Plate (Allen Key Supplied)

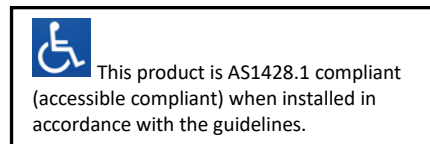
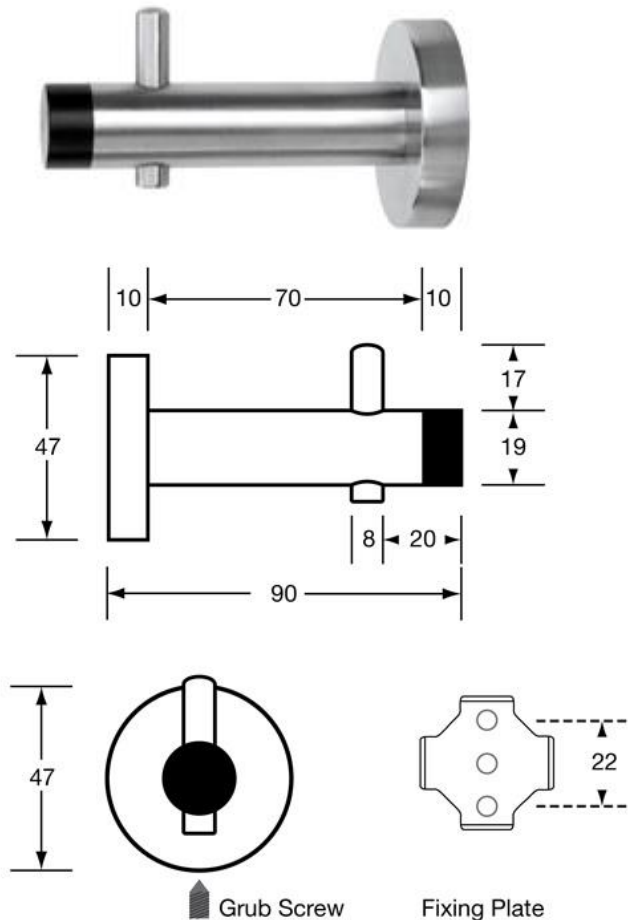
Installation Guidelines

- May be subject to Australian Building Code Regulations for able bodied and/or disabled use. It is recommended that any individual unit is installed whereby it clears any other fixtures by at least 150mm and not carry loads any greater than 8kg.

- Remove fixing plate from hook. Locate fixing position on wall or partition and mark using the top and bottom mounting holes of the fixing plate (do not put the screw into the middle hole, this can cause the fixing plate to become loose).
- Drill holes and loosely secure fixing plate to wall or partition surface using screws and wall plugs provided.
- Check the fixing plate is level and tighten screws.
- Secure the Hook body onto the fixing plate bracket using the grub screw with the supplied Allen key.
- Ensure the grub screw is fully tightened to finish installation.

Features

- Rubber bumper protects walls or partition surfaces from being damaged.



The technical recommendations contained in this document are necessarily of a general nature and should not be relied on for specific applications without first securing competent advice. Whilst Metlam Australia Pty Ltd has taken all reasonable steps to ensure the information contained herein is accurate and current, it does not warrant the accuracy or completeness of the information and does not accept liability for errors or omissions. Any Commercial product should only be installed by a competent tradesperson and serviced/maintained by knowledgeable janitorial staff or competent people. Metlam Australia accepts no responsibility for any damage to product, walls or fixtures due to incorrect installation or maintenance of any of their products.

The photographs and line drawings of the products presented above are representational only. Metlam Australia Pty Ltd reserves the right to, and from time to time, make changes and improvements in design and dimensions.